

YOUR INFORMATION

CUSTOMER NAME

EMAIL

ADDRESS

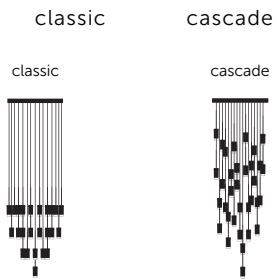
CONTACT
PHONE NO.

PROJECT NAME
(IF APPLICABLE)

LIGHTOLOGY ORDER
REFERENCE INFO

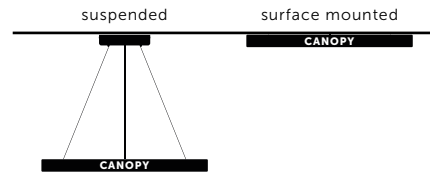
YOUR CHANDELIER

1. Which configuration would you like?



2. Do you require your chandelier to be suspended from the ceiling OR surface mounted to the ceiling?

suspended surface mounted



SUSPENDED/SURFACE
Suspended DIM B must
be greater than 500mm

DISCLAIMER:

Please make sure that your product selections and specifications are final. This made-to-order fixture is non-cancelable, non-returnable, and non-refundable. Signature on page 1 and page 2 of this specification form constitutes your understanding and acceptance of this disclaimer.

3. How many pendants do you require?

10 19 31

YOUR PENDANT TYPE

HEAVY METAL

Finish: Steel Brass Smoked Bronze Black

Bulb type: Buster bulb crystal Buster bulb gold Buster bulb smoked Tube bulb

Quantity: _____ Non-Dimmable Dimmable

OR

EXHAUST

Finish: Stone Graphite

Detail kit: Steel Burnt Steel Brass Gun Metal

GU10 bulb Quantity: _____

DELIVERY INFORMATION

DELIVERY NAME

ADDRESS
(IF DIFFERENT
FROM ABOVE)

CONTACT

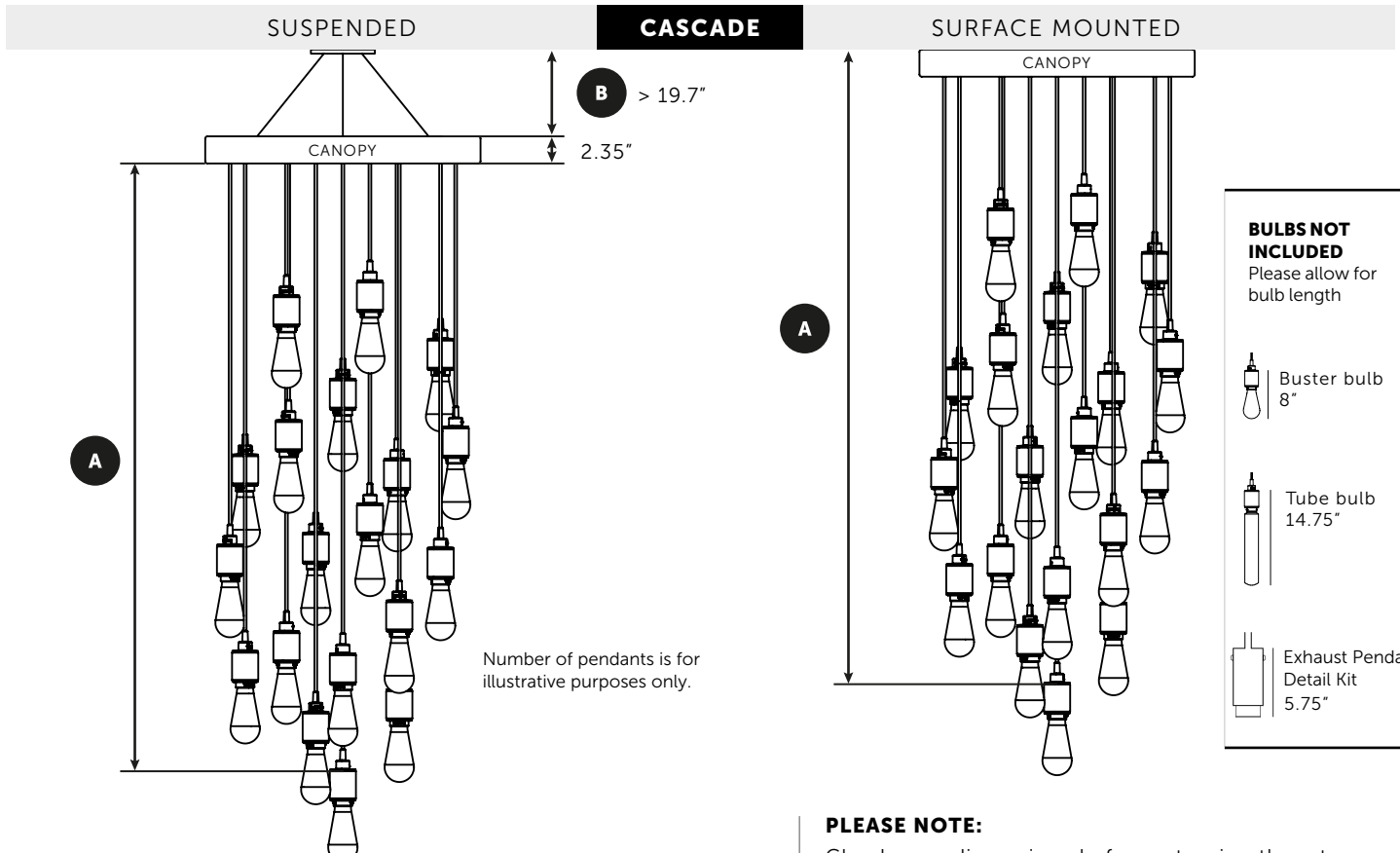
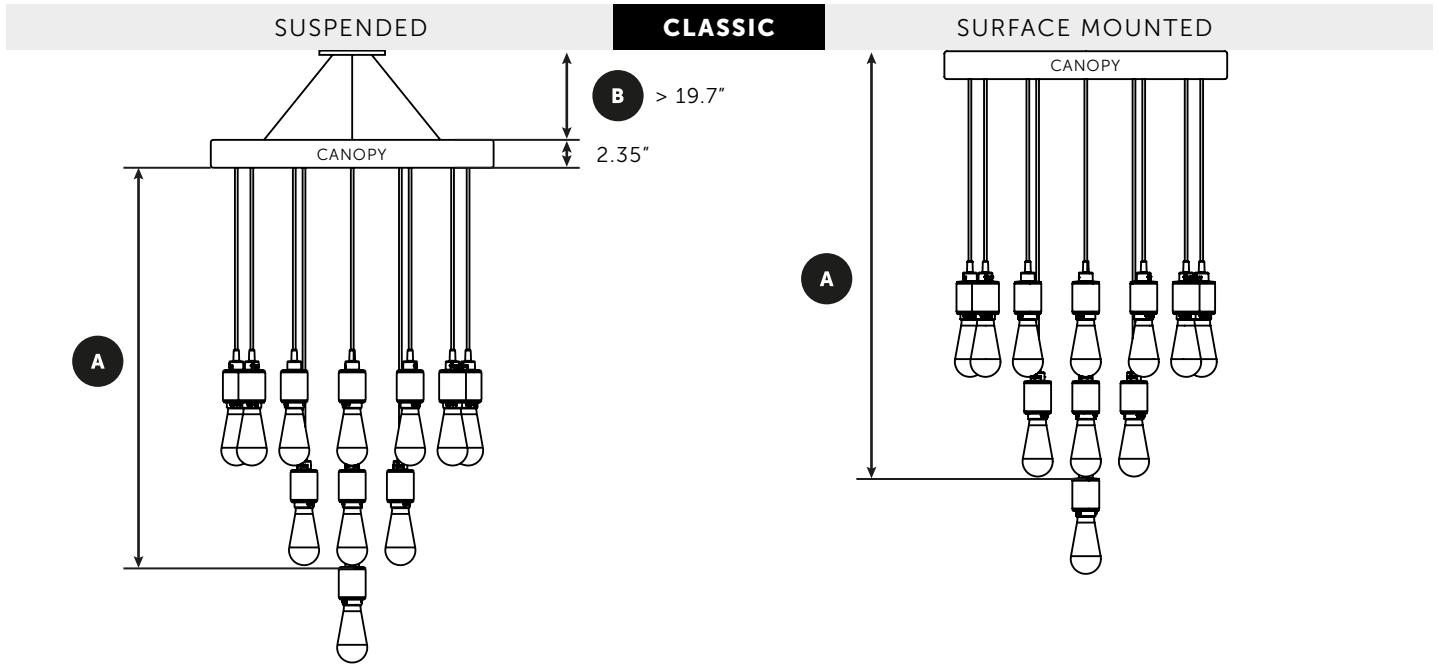
LIGHTOLOGY CUSTOMER SIGN HERE

LIGHTOLOGY PURCHASING AGENT SIGN HERE

NEXT STEPS

Please fill in your dimensions overleaf.

Please return this form duly completed to: quotes@lightology.com



PLEASE NOTE:
Check your dimensions before returning them to us. We will rely on the accuracy of these when making your chandelier and regrettably, we are unable to make changes once the construction has begun.

LIGHTOLOGY CUSTOMER SIGN HERE

LIGHTOLOGY PURCHASING AGENT SIGN HERE

CUSTOMER NAME

YOUR CHANDELIER DIMENSIONS (please give sizes in inches)

DIM A: _____ in Measurement from the ceiling to the top of the lowest hanging bulb.

DIM B: _____ in Measurement from the ceiling to the top of the canopy. Ignore if surface mounted.